

# Skybolt CLoc® 2000 Series Fasteners

## 3 - Piece Series (Stud/Retainer - Locking Receptacle)



ZG2500, ZG2600,  
See page 8 & 11



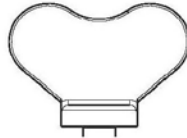
SK25S51, SK26S51  
See Page 8 and 12  
SK27S3, SK28S3, ZG28S3  
See Page 18 and 19



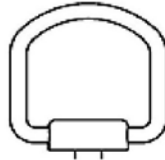
SK2500, SK2600  
See Page 8 and 11  
SK2700, SK2800  
See Page 17 & 19



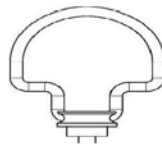
SK28T3  
See Page 19



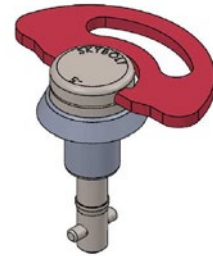
SK2500W, ZG2500W,  
SK2600W, ZG2600W  
See page 10 & 13



SK2500R, ZG2500R,  
SK2600R, ZG2600R  
See page 10 & 14



SK26S22, ZG26S22  
See Page 15



SK2600SFW, ZG2600SFW  
See page 16

### SK2500 and ZG2500 Series

For SK and ZG2500 Series Studs - Drill panel to 1/4 (Precision -.257 or 6.53mm)

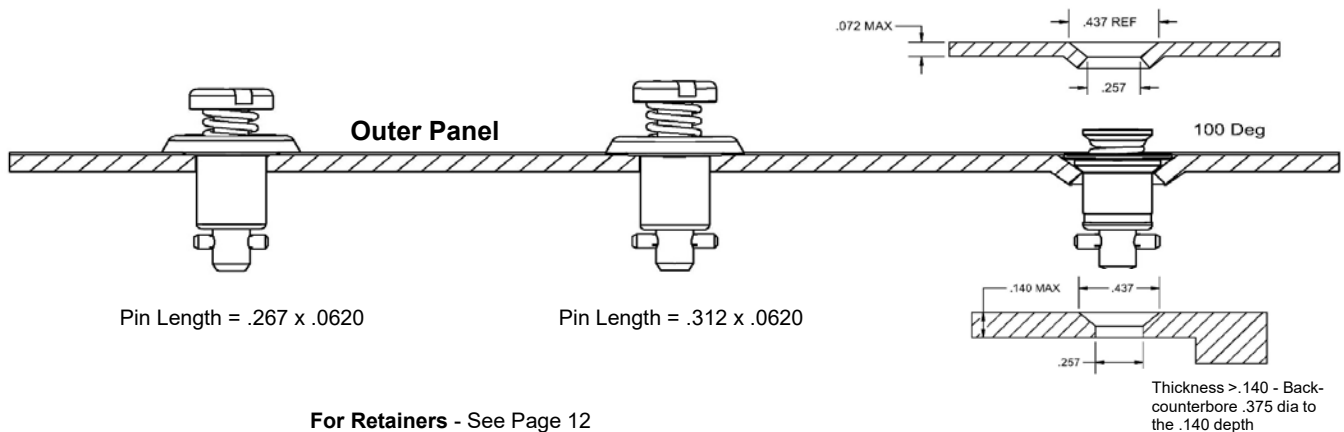
\*Industry standard (non-machined) cups have a slight 'bump' that is .359 diameter.

### SK2600 and ZG2600 Series

For SK and ZG2600 Series Studs - Drill panel to 1/4 (Precision -.257 or 6.53mm)

### SK2700, SK2800 and ZG2800 Series

**Thin Outer Panel Dimple** - Up to .072 Max. Drill panel to .213 or 5.41mm Dimple so that thru hole is .257 or 5.53mm  
**Thick Outer Panel Countersink** >.072 - Drill panel to .257 or 5.53mm. 100deg countersink to surface dia of .437 or 11mm



For Retainers - See Page 12

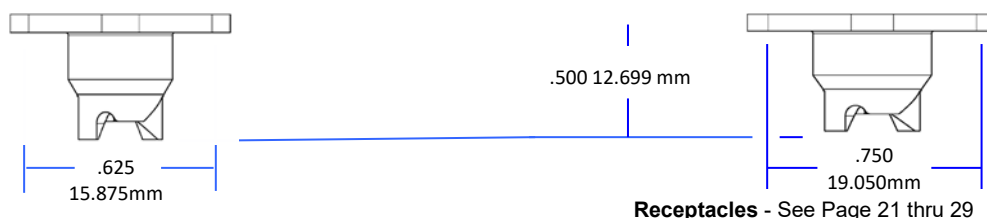
### SK212-10

Drill Center Hole 5/16 (7.94mm) for all panels

### SK212-12

Drill Center Hole 13/32 (10.32mm) for all panels

### INNER SUPPORT PANEL



Note: Add .100 to receptacle depth to allow for fastener protrusion when cycled lock to unlock (.500 + .100) = Clearance Requirement

# CLoc® 2000 Series Common Sets

Forget Charts - The Following assemblies solve 99% of all applications



### Stainless Series - Flush Head

<b>SK28S3-SET1</b>	Grip Range
SK28S3-2S Phillips Stud	.040-.400
SK2600 - LWS Stud Retainer	
SK213-2 Adjustable Receptacle	
3/32" Rivets not included	

Most Common Aircraft Set

### Skytanium® Series - Flush Head

<b>ZG28S3-SET2</b>	Grip Range
ZG28S3-2 Phillips Stud	.040-.400
SK2600 - LWS Stud Retainer	
SK213-28 Adjustable Receptacle	
1/8" Rivets not included	

Most Common NASCAR Set



### Stainless Series - Protruding Head

<b>SK26S51-SET1</b>	Grip Range
SK26S51-1S Phillips Stud	.040-.400
SK2600-LWS Stud Retainer	
SK213-2 Adjustable Receptacle	
3/32" Rivets not included	

Note: Order SET1 for SK213-2 (3/32 Rivets). Order SET2 for SK213-28 (1/8 Rivets)

### Skytanium® Series - Protruding Head

<b>ZG2600-SET2</b>	Grip Range
ZG2600-1 Collared Slot Stud	.040-.400
SK2600-LWS Stud Retainer	
SK213-28 Adjustable Receptacle	
1/8" Rivets not included	



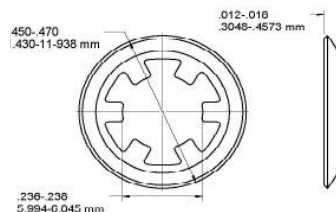
ZG28S3/SK28S3



ZG2600



SK26S51



SK2600-LWS



SK213

# CLoc® SK2500 ZG2500 Protruding Head

## 3 - Piece Series (Stud/Retainer - Locking Receptacle)



SK2500 Series Standard Slot  
(A= .302)



ZG2500 Series Collared Slot  
(A= .375)



SK25S51 Series Phillips  
(A= .302)

- LightWeight Aerospace Panel Fasteners - 50%Weight Savings
- Designed for Restrictive (Minimum Overlap) Mounting Surfaces
- Reduced Thru-Hole Diameter For Mounting Close to Edge
- TSO-C148 Approved. Designed to Exceed NASM5591 Table II Performance
- Honeywell-Airbus Approvals - A380 Avionics (ZG2500 Series)
- Tensile/Shear Loads of 200 LBS Working - 300 Lbs Plus Ultimate



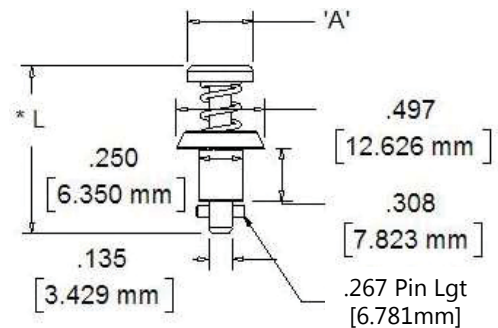
SK2500SC  
ZG2500



SK25S51  
ZG25S51



SK2500



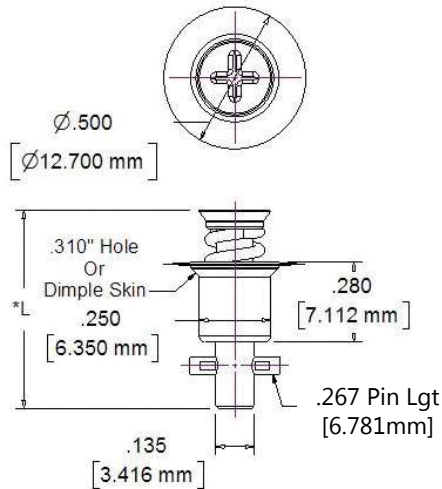
Note: 2500 Series Studs may use SK212-10, SK212-12, or SK213 Series Receptacles.

Protruding Head 2500 Series Stud					SK212-10 Series Fixed Depth Receptacle Combined Panels				Total Stud Length L	
Stainless Standard Slot	Stainless Collared Slot	Stainless Phillips	Skytanium® Collared Slot	Skytanium® Phillips(1)	Decimal		Millimeter		Decimal	Millimeter
					Min	Max	Min	Max		
SK2500-1S	SK2500SC1S	SK25S51-1	ZG2500-1	ZG25S51-1	.030	.059	0.762	1.499	.760	19.304
SK2500-2S	SK2500SC2S	SK25S51-2	ZG2500-2	ZG25S51-2	.060	.089	1.524	2.261	.790	20.066
SK2500-3S	SK2500SC3S	SK25S51-3	ZG2500-3	ZG25S51-3	.090	.119	2.286	3.023	.820	20.828
SK2500-4S	SK2500SC4S	SK25S51-4	ZG2500-4	ZG25S51-4	.120	.149	3.048	3.785	.850	21.590
SK2500-5S	SK2500SC5S	SK25S51-5	ZG2500-5	ZG25S51-5	.150	.179	3.810	4.547	.880	22.352
SK2500-6S	SK2500SC6S	SK25S51-6	ZG2500-6	ZG25S51-6	.180	.209	4.572	5.309	.910	23.114
SK2500-7S	SK2500SC7S	SK25S51-7	ZG2500-7	ZG25S51-7	.210	.239	5.334	6.071	.940	23.876
SK2500-8S	SK2500SC8S	SK25S51-8	ZG2500-8	ZG25S51-8	.240	.269	6.096	6.833	.970	24.638
SK2500-9S	SK2500SC9S	SK25S51-9	ZG2500-9	ZG25S51-9	.270	.299	6.858	7.595	1.000	25.400
SK2500-10S	SK2500SC10S	SK25S51-10	ZG2500-10	ZG25S51-10	.300	.329	7.620	8.357	1.030	26.162
SK2500-11S	SK2500SC11S	SK25S51-11	ZG2500-11	ZG25S51-11	.330	.359	8.382	9.119	1.060	26.924
SK2500-12S	SK2500SC12S	SK25S51-12	ZG2500-12	ZG25S51-12	.360	.389	9.144	9.881	1.090	27.686
SK2500-13S	SK2500SC13S	SK25S51-13	ZG2500-13	ZG25S51-13	.390	.419	9.906	10.643	1.120	28.448
SK2500-14S	SK2500SC14S	SK25S51-14	ZG2500-14	ZG25S51-14	.420	.449	10.668	11.405	1.150	29.210
SK2500-15S	SK2500SC15S	SK25S51-15	ZG2500-15	ZG25S51-15	.450	.479	11.430	12.167	1.180	29.972

Note: See page 22 for plating options and part# suffix. Note (1) ZG25S51 use stainless Stud/Skytanium® Cup.

# CLoc® SK2500 ZG2500 Flush Head

## 3 - Piece Series (Stud/Retainer - Locking Receptacle)



- LightWeight Aerospace Panel Fasteners - 50% Weight Savings
- Designed for Restrictive (Minimum Overlap) Mounting Surfaces
- Reduced Thru-Hole Diameter For Mounting Close to Edge
- Tensile/Shear Loads of 200 LBS Working - 300 Lbs Plus Ultimate
- TSO-C148 Approved. Designed to Exceed NASM5591 Table II



Note: 2500 Series Studs may use SK212-10, SK212-12, or SK213 Series Receptacles.

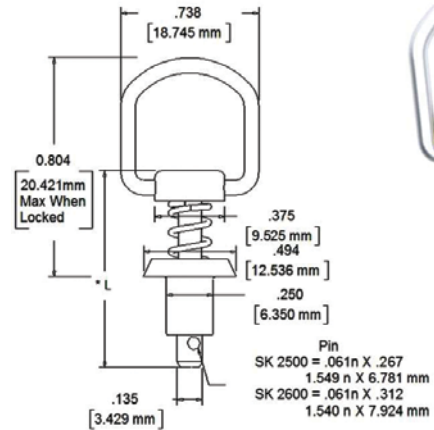
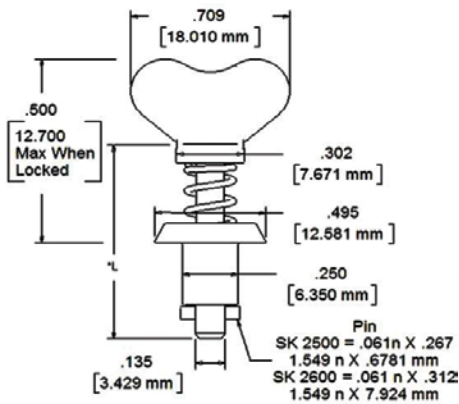
Flush Head 2500 Series Stud		Total Stud Length L		SK212-10 Series Fixed Depth Receptacle Combined Panels			
Stainless Phillips	Skytanium® Phillips(1)	Decimal	Millimeter	Decimal		Millimeter	
				Min	Max	Min	Max
SK25S3-1S	ZG25S3-1	.610	15.494	.010	.029	0.254	0.737
SK25S3-2S	ZG25S3-2	.640	16.256	.030	.059	0.762	1.499
SK25S3-3S	ZG25S3-3	.670	17.018	.060	.089	1.524	2.261
SK25S3-4S	ZG25S3-4	.700	17.780	.090	.119	2.286	3.023
SK25S3-5S	ZG25S3-5	.730	18.542	.120	.149	3.048	3.785
SK25S3-6S	ZG25S3-6	.760	19.304	.150	.179	3.810	4.547
SK25S3-7S	ZG25S3-7	.790	20.066	.180	.209	4.572	5.309
SK25S3-8S	ZG25S3-8	.820	20.828	.210	.239	5.334	6.071
SK25S3-9S	ZG25S3-9	.850	21.590	.240	.269	6.096	6.833
SK25S3-10S	ZG25S3-10	.880	22.352	.270	.299	6.858	7.595
SK25S3-11S	ZG25S3-11	.910	23.114	.300	.329	7.620	8.357
SK25S3-12S	ZG25S3-12	.940	23.876	.330	.359	8.382	9.119
SK25S3-13S	ZG25S3-13	.970	24.638	.360	.389	9.144	9.881
SK25S3-14S	ZG25S3-14	1.000	25.400	.390	.419	9.906	10.643
SK25S3-15S	ZG25S3-15	1.030	26.162	.420	.449	10.668	11.405
SK25S3-16S	ZG25S3-16	1.060	26.924	.450	.479	11.430	12.167

Note: See page 22 for plating options and part# suffix Note (1) ZG25S3 use stainless stud/Skytanium® cup.

# CLoc® SK2500 Winged & Folding Ring

## 3 - Piece Series (Stud/Retainer - Locking Receptacle)

- LightWeight Aerospace Panel Fasteners - 50%Weight Savings
- Designed for Restrictive (Minimum Overlap) Mounting Surfaces
- Reduced Thru-Hole Diameter For Mounting Close to Edge
- TSO-C148 Approved. Designed to Exceed NASM5591 Table II Performance
- ZG2500R Series Honeywell-Airbus Approvals - A380 Avionics
- Tensile/Shear Loads of 200 LBS Working - 300 Lbs Plus Ultimate



Note: 2500 Series Studs may use SK212-10, SK212-12, or SK213 Series Receptacles.

Winged 2500 Series Studs		Folding Ring 2500 Series				SK212 Series Fixed Depth Receptacle Combined Panels				SK213-1* and -2 Series Adjustable Depth Combined Panels					
Stainless Wing	Skytanium® Wing	Stud Length (L)		Stainless Folding Ring	Skytanium® Folding Ring	Dec.	mm	SK212 Series		SK213 Series		SK213-1* and -2 Series			
		Dec.	mm					Min	Max	Min	Max	Min	Max		
SK2500-1SW	ZG2500-1W	.760	19.304	SK2500R1S	ZG2500R1	.825	20.955	.030	.059	0.762	1.499	.020	.320	0.508	8.128
SK2500-2SW	ZG2500-2W	.790	20.066	SK2500R2S	ZG2500R2	.855	21.717	.060	.089	1.524	2.261	.020	.350	0.508	8.890
SK2500-3SW	ZG2500-3W	.820	20.828	SK2500R3S	ZG2500R3	.885	22.479	.090	.119	2.286	3.023	.050	.380	1.270	9.652
SK2500-4SW	ZG2500-4W	.850	21.590	SK2500R4S	ZG2500R4	.915	23.241	.120	.149	3.048	3.785	.080	.410	2.032	10.414
SK2500-5SW	ZG2500-5W	.880	22.352	SK2500R5S	ZG2500R5	.945	24.003	.150	.179	3.810	4.547	.110	.440	2.794	11.176
SK2500-6SW	ZG2500-6W	.910	23.114	SK2500R6S	ZG2500R6	.975	24.765	.180	.209	4.572	5.309	.140	.470	3.556	11.938
SK2500-7SW	ZG2500-7W	.940	23.876	SK2500R7S	ZG2500R7	1.005	25.527	.210	.239	5.334	6.071	.170	.500	4.318	12.700
SK2500-8SW	ZG2500-8W	.970	24.638	SK2500R8S	ZG2500R8	1.035	26.289	.240	.269	6.096	6.833	.200	.530	5.080	13.462
SK2500-9SW	ZG2500-9W	1.000	25.400	SK2500R9S	ZG2500R9	1.065	27.051	.270	.299	6.858	7.595	.230	.560	5.842	14.224
SK2500-10SW	ZG2500-10W	1.030	26.162	SK2500R10S	ZG2500R10	1.095	27.813	.300	.329	7.620	8.357	.260	.590	6.604	14.986
SK2500-11SW	ZG2500-11W	1.060	26.924	SK2500R11S	ZG2500R11	1.125	28.575	.330	.359	8.382	9.119	.290	.620	7.366	15.748
SK2500-12SW	ZG2500-12W	1.090	27.686	SK2500R12S	ZG2500R12	1.155	29.337	.360	.389	9.144	9.881	.320	.650	8.128	16.510
SK2500-13SW	ZG2500-13W	1.120	28.448	SK2500R13S	ZG2500R13	1.185	30.099	.390	.419	9.906	10.643	.350	.680	8.890	17.272
SK2500-14SW	ZG2500-14W	1.150	29.210	SK2500R14S	ZG2500R14	1.215	30.861	.420	.449	10.668	11.405	.380	.710	9.652	18.034
SK2500-15SW	ZG2500-15W	1.180	29.972	SK2500R15S	ZG2500R15	1.245	31.623	.450	.479	11.430	12.167	.410	.740	10.414	18.796

Note: See page 22 for plating options and part# suffix.

# CLoc® SK2600 ZG2600 Slotted Head

## 3 - Piece Series (Stud/Retainer - Locking Receptacle)



SK2600 Series Standard Slot  
(A= .302)



ZG2600 Series Collared Slot  
(A= .375)

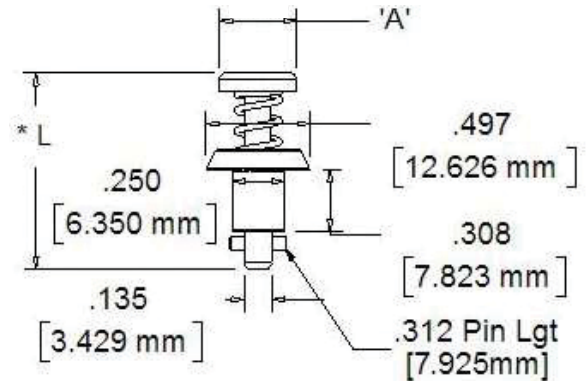
- TSO-C148 Approved. Designed to exceed NASM5591 Table II Performance
- Tensile/Shear Loads of 200 LBS Working - 300\* Lbs Plus Ultimate



ZG2600



SK2600



Replacements	Stainless Slotted	Steel Slotted
<b>CamLoc®</b>	2600-(x)S	2600-(x)
<b>Lisi</b>	1126007-(x)	1126000-(x)

Note: 2600 Series Studs will not fit SK212-10 Series Receptacles. Use SK212-12 or SK213 Series Receptacle

Slotted Head 2600 Series Studs			Total Stud Length (L)		SK212 Series Fixed Depth Receptacle Combined Panels				SK213-1* and -2 Series Adjustable Depth Combined Panels			
Steel Standard Slot	Stainless Standard Slot	Skytanium® Collared Slot	Dec	mm	Decimal		Millimeter		Decimal		Millimeter	
					Min	Max	Min	Max	Min	Max	Min	Max
2600-1	SK2600-1S	ZG2600-1	.760	19.304	0.030	0.059	0.762	1.499	.020	.320	0.508	8.128
2600-2	SK2600-2S	ZG2600-2	.790	20.066	0.060	0.089	1.524	2.261	.020	.350	0.508	8.890
2600-3	SK2600-3S	ZG2600-3	.820	20.828	0.090	0.119	2.286	3.023	.050	.380	1.270	9.652
2600-4	SK2600-4S	ZG2600-4	.850	21.590	0.120	0.149	3.048	3.785	.080	.410	2.032	10.414
2600-5	SK2600-5S	ZG2600-5	.880	22.352	0.150	0.179	3.810	4.547	.110	.440	2.794	11.176
2600-6	SK2600-6S	ZG2600-6	.910	23.114	0.180	0.209	4.572	5.309	.140	.470	3.556	11.938
2600-7	SK2600-7S	ZG2600-7	.940	23.876	0.210	0.239	5.334	6.071	.170	.500	4.318	12.700
2600-8	SK2600-8S	ZG2600-8	.970	24.638	0.240	0.269	6.096	6.833	.200	.530	5.080	13.462
2600-9	SK2600-9S	ZG2600-9	1.000	25.400	0.270	0.299	6.858	7.595	.230	.560	5.842	14.224
2600-10	SK2600-10S	ZG2600-10	1.030	26.162	0.300	0.329	7.620	8.357	.260	.590	6.604	14.986
2600-11	SK2600-11S	ZG2600-11	1.060	26.924	0.330	0.359	8.382	9.119	.290	.620	7.366	15.748
2600-12	SK2600-12S	ZG2600-12	1.090	27.686	0.360	0.389	9.144	9.881	.320	.650	8.128	16.510
2600-13	SK2600-13S	ZG2600-13	1.120	28.448	0.390	0.419	9.906	10.643	.350	.680	8.890	17.272
2600-14	SK2600-14S	ZG2600-14	1.150	29.210	0.420	0.449	10.668	11.405	.380	.710	9.652	18.034
2600-15	SK2600-15S	ZG2600-15	1.180	29.972	0.450	0.479	11.430	12.167	.410	.740	10.414	18.796

\* For SK213-1 Receptacles, add .120 to Min Grip. Note (1) ZG26551 use stainless stud/Skytanium® cup. Note: CLoc®-CamLoc® grip charts are identical for 2600 Series parts. Physical dimensions are identical. See page 22 for plating options and part# suffix. Tested to 600 lbs. Skybolt® stainless CLoc® testing exceeds NASM5591 standards for tensile/shear and endurance.

# CLoc® SK2600 ZG2600 Phillips Head

## 3 - Piece Series (Stud/Retainer - Locking Receptacle)

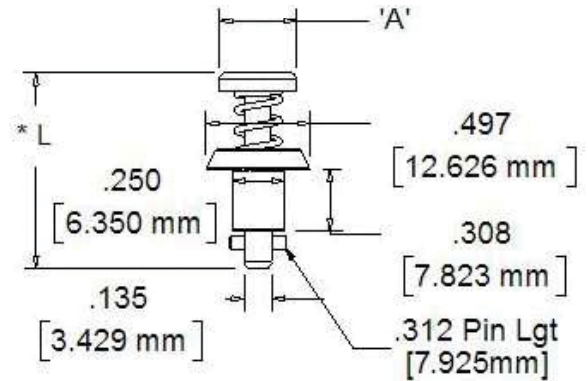


SK26S51 Series Phillips  
(A= .302)



SK26S51  
ZG26S51

- TSO-C148 Approved. Designed to exceed NASM5591 Table II Performance
- Tensile/Shear Loads of 200 LBS Working - 300\* Lbs Plus Ultimate



Replacements	Stainless Phillips	Steel Phillips
<b>CamLoc®</b>	26S51-(x)	26S8-(x)
<b>Lisi</b>	1126008-(x)	1126004-(x)

Note: 2600 Series Studs will not fit SK212-10 Series Receptacles. Use SK212-12 or SK213 Series Receptacle

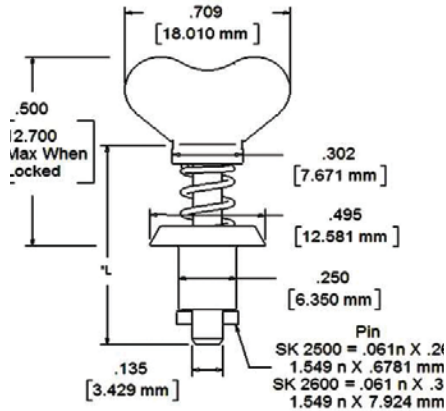
Phillips Head 2600 Series Studs			Total Stud Length (L)		SK212 Series Fixed Depth Receptacle Combined Panels				SK213-1* and -2 Series Adjustable Depth Combined Panels			
Steel Phillips	Stainless Phillips	Skytanium® Phillips	Dec	mm	Decimal		Millimeter		Decimal		Millimeter	
					Min	Max	Min	Max	Min	Max	Min	Max
SK26S8-1	SK26S51-1	ZG26S51-1	.760	19.304	0.030	0.059	0.762	1.499	.020	.320	0.508	8.128
SK26S8-2	SK26S51-2	ZG26S51-2	.790	20.066	0.060	0.089	1.524	2.261	.020	.350	0.508	8.890
SK26S8-3	SK26S51-3	ZG26S51-3	.820	20.828	0.090	0.119	2.286	3.023	.050	.380	1.270	9.652
SK26S8-4	SK26S51-4	ZG26S51-4	.850	21.590	0.120	0.149	3.048	3.785	.080	.410	2.032	10.414
SK26S8-5	SK26S51-5	ZG26S51-5	.880	22.352	0.150	0.179	3.810	4.547	.110	.440	2.794	11.176
SK26S8-6	SK26S51-6	ZG26S51-6	.910	23.114	0.180	0.209	4.572	5.309	.140	.470	3.556	11.938
SK26S8-7	SK26S51-7	ZG26S51-7	.940	23.876	0.210	0.239	5.334	6.071	.170	.500	4.318	12.700
SK26S8-8	SK26S51-8	ZG26S51-8	.970	24.638	0.240	0.269	6.096	6.833	.200	.530	5.080	13.462
SK26S8-9	SK26S51-9	ZG26S51-9	1.000	25.400	0.270	0.299	6.858	7.595	.230	.560	5.842	14.224
SK26S8-10	SK26S51-10	ZG26S51-10	1.030	26.162	0.300	0.329	7.620	8.357	.260	.590	6.604	14.986
SK26S8-11	SK26S51-11	ZG26S51-11	1.060	26.924	0.330	0.359	8.382	9.119	.290	.620	7.366	15.748
SK26S8-12	SK26S51-12	ZG26S51-12	1.090	27.686	0.360	0.389	9.144	9.881	.320	.650	8.128	16.510
SK26S8-13	SK26S51-13	ZG26S51-13	1.120	28.448	0.390	0.419	9.906	10.643	.350	.680	8.890	17.272
SK26S8-14	SK26S51-14	ZG26S51-14	1.150	29.210	0.420	0.449	10.668	11.405	.380	.710	9.652	18.034
SK26S8-15	SK26S51-15	ZG26S51-15	1.180	29.972	0.450	0.479	11.430	12.167	.410	.740	10.414	18.796

\* For SK213-1 Receptacles, add .120 to Min Grip. Note (1) ZG26S51 use stainless stud/Skytanium® cup. Note: CLoc®-CamLoc® grip charts are identical for 2600 Series parts. Physical dimensions are identical. See page 22 for plating options and part# suffix. Tested to 600 lbs. Skybolt® stainless CLoc® testing exceeds NASM5591 standards for tensile/shear and endurance.

# CLoc® SK2600 Winged

## 3 - Piece Series (Stud/Retainer - Locking Receptacle)

- TSO-C148 Approved. Designed to Exceed NASM5591 Table II Performance
- Tensile/Shear Loads of 200 LBS Working - 300\* Lbs Plus Ultimate



Replacements	Stainless Wing	Steel Wing
<b>CamLoc®</b>	2600-(x)SW	2600-(x)W
<b>Lisi</b>	1126014-(x)	1126010-(x)

Note: 2600 Series Studs will not fit SK212-10 Series Receptacles. Use SK212-12 or SK213 Series Receptacle

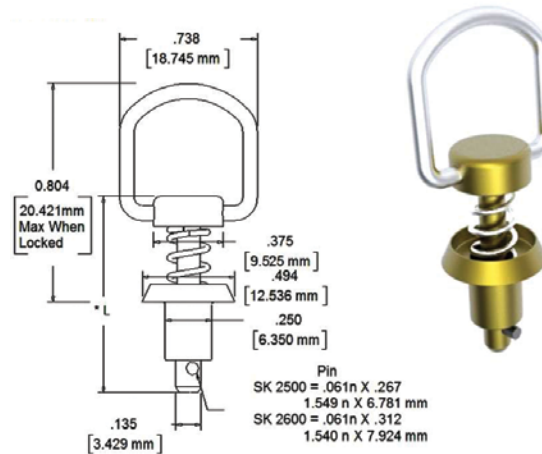
Winged 2600 Series Studs			Stud Length (L)		SK212 Series Fixed Depth Receptacle Combined Panels				SK213-1* and -2 Series Adjustable Depth Combined Panels			
Steel Wing	Stainless Wing	Skytanium® Wing	Dec.	mm	Decimal		Millimeter		Decimal		Millimeter	
					Min	Max	Min	Max	Min	Max	Min	Max
SK2600-1W	SK2600-1SW	ZG2600-1W	.760	19.304	.030	.059	0.762	1.499	.020	.320	0.508	8.128
SK2600-2W	SK2600-2SW	ZG2600-2W	.790	20.066	.060	.089	1.524	2.261	.020	.350	0.508	8.890
SK2600-3W	SK2600-3SW	ZG2600-3W	.820	20.828	.090	.119	2.286	3.023	.050	.380	1.270	9.652
SK2600-4W	SK2600-4SW	ZG2600-4W	.850	21.590	.120	.149	3.048	3.785	.080	.410	2.032	10.414
SK2600-5W	SK2600-5SW	ZG2600-5W	.880	22.352	.150	.179	3.810	4.547	.110	.440	2.794	11.176
SK2600-6W	SK2600-6SW	ZG2600-6W	.910	23.114	.180	.209	4.572	5.309	.140	.470	3.556	11.938
SK2600-7W	SK2600-7SW	ZG2600-7W	.940	23.876	.210	.239	5.334	6.071	.170	.500	4.318	12.700
SK2600-8W	SK2600-8SW	ZG2600-8W	.970	24.638	.240	.269	6.096	6.833	.200	.530	5.080	13.462
SK2600-9W	SK2600-9SW	ZG2600-9W	1.000	25.400	.270	.299	6.858	7.595	.230	.560	5.842	14.224
SK2600-10W	SK2600-10SW	ZG2600-10W	1.030	26.162	.300	.329	7.620	8.357	.260	.590	6.604	14.986
SK2600-11W	SK2600-11SW	ZG2600-11W	1.060	26.924	.330	.359	8.382	9.119	.290	.620	7.366	15.748
SK2600-12W	SK2600-12SW	ZG2600-12W	1.090	27.686	.360	.389	9.144	9.881	.320	.650	8.128	16.510
SK2600-13W	SK2600-13SW	ZG2600-13W	1.120	28.448	.390	.419	9.906	10.643	.350	.680	8.890	17.272
SK2600-14W	SK2600-14SW	ZG2600-14W	1.150	29.210	.420	.449	10.668	11.405	.380	.710	9.652	18.034
SK2600-15W	SK2600-15SW	ZG2600-15W	1.180	29.972	.450	.479	11.430	12.167	.410	.740	10.414	18.796

\* For SK213-1 Receptacles, add .120 to Min Grip. Note (1) ZG26S51 use stainless stud/Skytanium® cup. Note: CLoc®-CamLoc® grip charts are identical for 2600 Series parts. Physical dimensions are identical. See page 22 for plating options and part# suffix. Tested to 600 lbs. Skybolt® stainless CLoc® testing exceeds NASM5591 standards for tensile/shear and endurance.

# CLoc® SK2600 Folding Ring

## 3 - Piece Series (Stud/Retainer - Locking Receptacle)

- TSO-C148 Approved. Designed to Exceed NASM5591 Table II Performance
- Tensile/Shear Loads of 200 LBS Working - 300\* Lbs Plus Ultimate



Note: 2600 Series Studs will not fit SK212-10 Series Receptacles. Use SK212-12 or SK213 Series Receptacle

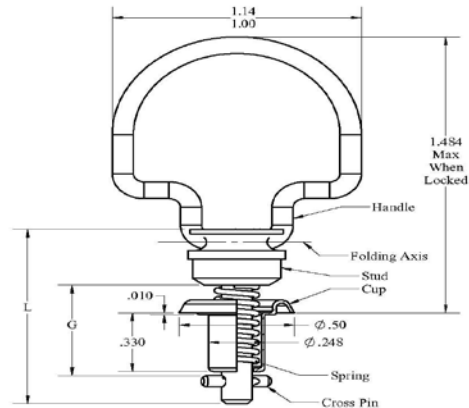
Folding Ring 2600 Series		SK212 Series						SK213-1* and -2 Series			
		Stud Length (L)		Fixed Depth Receptacle Combined Panels				Adjustable Depth Combined Panels			
Stainless Folding Ring	Skytanium® Folding Ring	Dec.	mm	Decimal		Millimeter		Decimal		Millimeter	
				Min	Max	Min	Max	Min	Max	Min	Max
SK2600R1S	ZG2600R1	.825	20.955	.030	.059	0.762	1.499	.020	.320	0.508	8.128
SK2600R2S	ZG2600R2	.855	21.717	.060	.089	1.524	2.261	.020	.350	0.508	8.890
SK2600R3S	ZG2600R3	.885	22.479	.090	.119	2.286	3.023	.050	.380	1.270	9.652
SK2600R4S	ZG2600R4	.915	23.241	.120	.149	3.048	3.785	.080	.410	2.032	10.414
SK2600R5S	ZG2600R5	.945	24.003	.150	.179	3.810	4.547	.110	.440	2.794	11.176
SK2600R6S	ZG2600R6	.975	24.765	.180	.209	4.572	5.309	.140	.470	3.556	11.938
SK2600R7S	ZG2600R7	1.005	25.527	.210	.239	5.334	6.071	.170	.500	4.318	12.700
SK2600R8S	ZG2600R8	1.035	26.289	.240	.269	6.096	6.833	.200	.530	5.080	13.462
SK2600R9S	ZG2600R9	1.065	27.051	.270	.299	6.858	7.595	.230	.560	5.842	14.224
SK2600R10S	ZG2600R10	1.095	27.813	.300	.329	7.620	8.357	.260	.590	6.604	14.986
SK2600R11S	ZG2600R11	1.125	28.575	.330	.359	8.382	9.119	.290	.620	7.366	15.748
SK2600R12S	ZG2600R12	1.155	29.337	.360	.389	9.144	9.881	.320	.650	8.128	16.510
SK2600R13S	ZG2600R13	1.185	30.099	.390	.419	9.906	10.643	.350	.680	8.890	17.272
SK2600R14S	ZG2600R14	1.215	30.861	.420	.449	10.668	11.405	.380	.710	9.652	18.034
SK2600R15S	ZG2600R15	1.245	31.623	.450	.479	11.430	12.167	.410	.740	10.414	18.796

\* For SK213-1 Receptacles, add .120 to Min Grip. Note (1) ZG26S51 use stainless stud/Skytanium® cup. Note: CLoc®-CamLoc® grip charts are identical for 2600 Series parts. Physical dimensions are identical. See page 22 for plating options and part# suffix. Tested to 600 lbs. Skybolt® stainless CLoc® testing exceeds NASM5591 standards for tensile/shear and endurance.

# CLoc® SK26S22 Bail Handle

## 3 - Piece Series (Stud/Retainer - Locking Receptacle)

- TSO-C148 Approved. Designed to Exceed NASM5591 Table II Performance
- Tensile/Shear Loads of 200 LBS Working - 300\* Lbs Plus Ultimate



Replacements	Stainless Bail	Steel Bail
<b>CamLoc®</b>	26S22-(x)B	26S22-(x)
<b>Lisi</b>	1126017	1126024-(x)

Note: 26S22 Series Studs will not fit SK212-10 Series Receptacles. Use SK212-12 or SK213 Series Receptacle

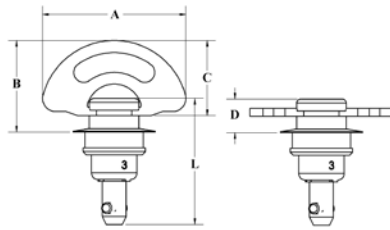
Bail Handle 26S22 Series Studs			SK212 Series Fixed Depth Receptacle Combined Panels						SK213-1* and -2 Series Adjustable Depth Combined Panels			
Steel Bail Handle	Stainless Bail Handle	Skytanium® Bail Handle	Stud Length (L)		Decimal		Millimeter		Decimal		Millimeter	
			Dec.	mm	Min	Max	Min	Max	Min	Max	Min	Max
SK26S22-1	SK26S22-1S	ZG26S22-1	0.930	23.622	.030	.059	0.762	1.499	.020	.320	0.508	8.128
SK26S22-2	SK26S22-2S	ZG26S22-2	0.960	24.384	.060	.089	1.524	2.261	.020	.350	0.508	8.890
SK26S22-3	SK26S22-3S	ZG26S22-3	0.990	25.146	.090	.119	2.286	3.023	.050	.380	1.270	9.652
SK26S22-4	SK26S22-4S	ZG26S22-4	1.020	25.908	.120	.149	3.048	3.785	.080	.410	2.032	10.414
SK26S22-5	SK26S22-5S	ZG26S22-5	1.050	26.670	.150	.179	3.810	4.547	.110	.440	2.794	11.176
SK26S22-6	SK26S22-6S	ZG26S22-6	1.080	27.432	.180	.209	4.572	5.309	.140	.470	3.556	11.938
SK26S22-7	SK26S22-7S	ZG26S22-7	1.110	28.194	.210	.239	5.334	6.071	.170	.500	4.318	12.700
SK26S22-8	SK26S22-8S	ZG26S22-8	1.140	28.956	.240	.269	6.096	6.833	.200	.530	5.080	13.462
SK26S22-9	SK26S22-9S	ZG26S22-9	1.170	29.718	.270	.299	6.858	7.595	.230	.560	5.842	14.224
SK26S22-10	SK26S22-10S	ZG26S22-10	1.200	30.480	.300	.329	7.620	8.357	.260	.590	6.604	14.986
SK26S22-11	SK26S22-11S	ZG26S22-11	1.230	31.242	.330	.359	8.382	9.119	.290	.620	7.366	15.748
SK26S22-12	SK26S22-12S	ZG26S22-12	1.260	32.004	.360	.389	9.144	9.881	.320	.650	8.128	16.510
SK26S22-13	SK26S22-13S	ZG26S22-13	1.290	32.766	.390	.419	9.906	10.643	.350	.680	8.890	17.272
SK26S22-14	SK26S22-14S	ZG26S22-14	1.320	33.528	.420	.449	10.668	11.405	.380	.710	9.652	18.034
SK26S22-15	SK26S22-15S	ZG26S22-15	1.350	34.290	.450	.479	11.430	12.167	.410	.740	10.414	18.796

\* For SK213-1 Receptacles, add .120 to Min Grip. Note: CLoc®-CamLoc® grip charts are identical for 26S22 Series parts.

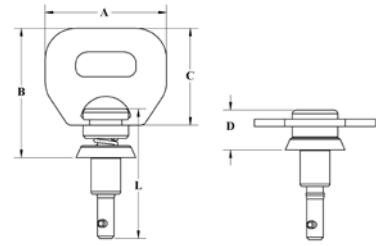
# CLoc® SK2600FW Folding Wing

## 3 - Piece Series (Stud/Retainer - Locking Receptacle)

- Designed to Exceed NASM5591 Table II Performance. TSO Pending
- Tensile/Shear Loads of 200 LBS Working - 300 Lbs Plus Ultimate



SK2600 Style Folding Wing



SK2601 Style Folding Wing

For All Dash #'s	A		B(1)		C		D (1)	
	Decimal	mm	Decimal	mm	Decimal	mm	Decimal	mm
SK2600SFW	1.080	27.432	.760	19.304	.567	14.402	.375	9.525
SK2601SFW	1.000	25.400	.993	25.222	.800	20.320	.375	9.525

Note (1) B & D dimensions - Nominal locked position

Note: 2600 Series Studs will not fit SK212-10 Series Receptacles. Use SK212-12 or SK213 Series Receptacle

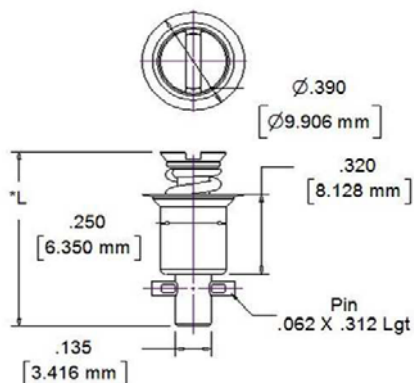
Folding Wing 2600 Series Studs		Total Stud Length (L)		SK212 Series Fixed Depth Receptacle Combined Panels				SK213-1* and -2 Series Adjustable Depth Combined Panels			
Stainless Standard Slot	Stainless Phillips	Decimal	Millimeter	Decimal		Millimeter		Decimal		Millimeter	
				Min	Max	Min	Max	Min	Max	Min	Max
SK2600-1SFW	SK2601-1SFW	0.920	23.368	.030	.059	0.762	1.499	.020	.320	0.508	8.128
SK2600-2SFW	SK2601-2SFW	0.950	24.130	.060	.089	1.524	2.261	.020	.350	0.508	8.890
SK2600-3SFW	SK2601-3SFW	0.980	24.892	.090	.119	2.286	3.023	.050	.380	1.270	9.652
SK2600-4SFW	SK2601-4SFW	1.010	25.654	.120	.149	3.048	3.785	.080	.410	2.032	10.414
SK2600-5SFW	SK2601-5SFW	1.040	26.416	.150	.179	3.810	4.547	.110	.440	2.794	11.176
SK2600-6SFW	SK2601-6SFW	1.070	27.178	.180	.209	4.572	5.309	.140	.470	3.556	11.938
SK2600-7SFW	SK2601-7SFW	1.100	27.940	.210	.239	5.334	6.071	.170	.500	4.318	12.700
SK2600-8SFW	SK2601-8SFW	1.130	28.702	.240	.269	6.096	6.833	.200	.530	5.080	13.462
SK2600-9SFW	SK2601-9SFW	1.160	29.464	.270	.299	6.858	7.595	.230	.560	5.842	14.224
SK2600-10SFW	SK2601-10SFW	1.190	30.226	.300	.329	7.620	8.357	.260	.590	6.604	14.986
SK2600-11SFW	SK2601-11SFW	1.220	30.988	.330	.359	8.382	9.119	.290	.620	7.366	15.748
SK2600-12SFW	SK2601-12SFW	1.250	31.750	.360	.389	9.144	9.881	.320	.650	8.128	16.510
SK2600-13SFW	SK2601-13SFW	1.280	32.512	.390	.419	9.906	10.643	.350	.680	8.890	17.272
SK2600-14SFW	SK2601-14SFW	1.310	33.274	.420	.449	10.668	11.405	.380	.710	9.652	18.034
SK2600-15SFW	SK2601-15SFW	1.340	34.036	.450	.479	11.430	12.167	.410	.740	10.414	18.796

\* For SK213-1 Receptacles, add .120 to Min Grip. Note: CLoc®-CamLoc® grip charts are identical for 2600 Series

# CLoc® SK2700 Slotted Flush Head Series

## 3 - Piece Series (Stud/Retainer - Locking Receptacle)

- TSO-C148 Approved. Designed to Exceed NASM5591 Table II Performance
- Tensile/Shear Loads of 200 LBS Working - 300\* Lbs Plus Ultimate



Replacements	Stainless Slotted	Steel Slotted
<b>CamLoc®</b>	2700-(x)S	2700-(x)
<b>Lisi</b>	1127003-(x)	1127000-(x)

Note: 2700 Series Studs will not fit SK212-10 Series Receptacles. Use SK212-12 or SK213 Series Receptacle

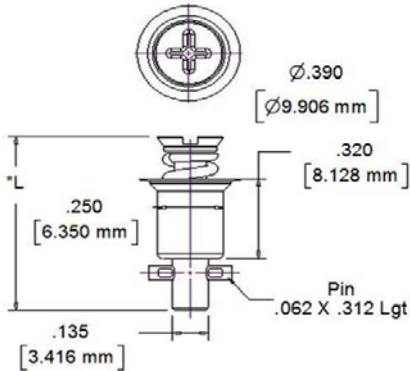
Flush Head 2700 Series Stud		Total Stud Length L		SK212 Series Fixed Depth Receptacle Combined Panel Thickness				SK213-1 and -2 Series Adjustable Depth Receptacle Combined Panel Thickness			
Steel Slot	Stainless Slot	Decimal	Millimeter	Decimal		Millimeter		Decimal		Millimeter	
				Min	Max	Min	Max	Min*	Max	Min	Max
SK2700-1	SK2700-1S	.610	15.494	.010	.029	0.254	0.737	.020	.270	0.508	6.858
SK2700-2	SK2700-2S	.640	16.256	.030	.059	0.762	1.499	.020	.300	0.508	7.620
SK2700-3	SK2700-3S	.670	17.018	.060	.089	1.524	2.261	.050	.330	1.270	8.382
SK2700-4	SK2700-4S	.700	17.780	.090	.119	2.286	3.023	.080	.360	2.032	9.144
SK2700-5	SK2700-5S	.730	18.542	.120	.149	3.048	3.785	.110	.390	2.794	9.906
SK2700-6	SK2700-6S	.760	19.304	.150	.179	3.810	4.547	.140	.420	3.556	10.668
SK2700-7	SK2700-7S	.790	20.066	.180	.209	4.572	5.309	.170	.450	4.318	11.430
SK2700-8	SK2700-8S	.820	20.828	.210	.239	5.334	6.071	.200	.480	5.080	12.192
SK2700-9	SK2700-9S	.850	21.590	.240	.269	6.096	6.833	.230	.510	5.842	12.954
SK2700-10	SK2700-10S	.880	22.352	.270	.299	6.858	7.595	.260	.540	6.604	13.716
SK2700-11	SK2700-11S	.910	23.114	.300	.329	7.620	8.357	.290	.570	7.366	14.478
SK2700-12	SK2700-12S	.940	23.876	.330	.359	8.382	9.119	.320	.600	8.128	15.240
SK2700-13	SK2700-13S	.970	24.638	.360	.389	9.144	9.881	.350	.630	8.890	16.002
SK2700-14	SK2700-14S	1.000	25.400	.390	.419	9.906	10.643	.380	.660	9.652	16.764
SK2700-15	SK2700-15S	1.030	26.162	.420	.449	10.668	11.405	.410	.690	10.414	17.526
SK2700-16	SK2700-16S	1.060	26.924	.450	.479	11.430	12.167	.440	.720	11.176	18.288

\* For SK213-1 Series Receptacles - Add .120 to min thickness (shorter barrel) Note: CLoc®-CamLoc® grip charts are not identical for 2700 Series parts. Physical dimensions are identical. Note: See page 22 for plating options and part# suffix. Tested to 600 lbs. Skybolt® stainless CLoc® testing exceeds NASM5591 standards for tensile/shear and endurance.

# CLoc® SK2700 Phillips Flush Head Series

## 3 - Piece Series (Stud/Retainer - Locking Receptacle)

- TSO-C148 Approved. Designed to Exceed NASM5591 Table II Performance
- Tensile/Shear Loads of 200 LBS Working - 300\* Lbs Plus Ultimate



Replacements	Stainless Phillips	Steel Phillips
<b>CamLoc®</b>	27S3-(x)S	27S3-(x)
<b>Lisi</b>	1127009-(x)	1127004-(x)

Note: 2700 Series Studs will not fit SK212-10 Series Receptacles. Use SK212-12 or SK213 Series Receptacle

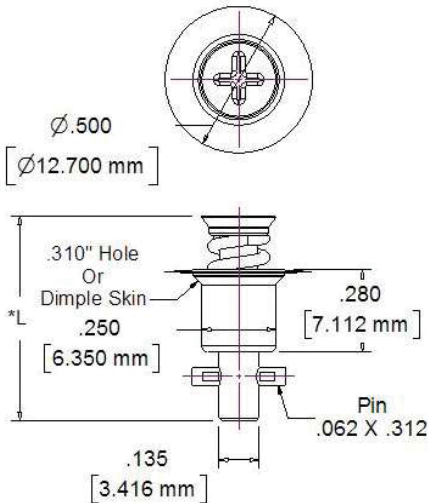
Flush Head 2700 Series Stud		Total Stud Length L		SK212 Series Fixed Depth Receptacle Combined Panel Thickness				SK213-1 and -2 Series Adjustable Depth Receptacle Combined Panel Thickness			
Steel Phillips	Stainless Phillips	Decimal	Millimeter	Decimal		Millimeter		Decimal		Millimeter	
				Min	Max	Min	Max	Min*	Max	Min	Max
SK27S3-1	SK27S3-1S	.610	15.494	.010	.029	0.254	0.737	.020	.270	0.508	6.858
SK27S3-2	SK27S3-2S	.640	16.256	.030	.059	0.762	1.499	.020	.300	0.508	7.620
SK27S3-3	SK27S3-3S	.670	17.018	.060	.089	1.524	2.261	.050	.330	1.270	8.382
SK27S3-4	SK27S3-4S	.700	17.780	.090	.119	2.286	3.023	.080	.360	2.032	9.144
SK27S3-5	SK27S3-5S	.730	18.542	.120	.149	3.048	3.785	.110	.390	2.794	9.906
SK27S3-6	SK27S3-6S	.760	19.304	.150	.179	3.810	4.547	.140	.420	3.556	10.668
SK27S3-7	SK27S3-7S	.790	20.066	.180	.209	4.572	5.309	.170	.450	4.318	11.430
SK27S3-8	SK27S3-8S	.820	20.828	.210	.239	5.334	6.071	.200	.480	5.080	12.192
SK27S3-9	SK27S3-9S	.850	21.590	.240	.269	6.096	6.833	.230	.510	5.842	12.954
SK27S3-10	SK27S3-10S	.880	22.352	.270	.299	6.858	7.595	.260	.540	6.604	13.716
SK27S3-11	SK27S3-11S	.910	23.114	.300	.329	7.620	8.357	.290	.570	7.366	14.478
SK27S3-12	SK27S3-12S	.940	23.876	.330	.359	8.382	9.119	.320	.600	8.128	15.240
SK27S3-13	SK27S3-13S	.970	24.638	.360	.389	9.144	9.881	.350	.630	8.890	16.002
SK27S3-14	SK27S3-14S	1.000	25.400	.390	.419	9.906	10.643	.380	.660	9.652	16.764
SK27S3-15	SK27S3-15S	1.030	26.162	.420	.449	10.668	11.405	.410	.690	10.414	17.526
SK27S3-16	SK27S3-16S	1.060	26.924	.450	.479	11.430	12.167	.440	.720	11.176	18.288

\* For SK213-1 Series Receptacles - Add .120 to min thickness (shorter barrel) Note: CLoc®-CamLoc® grip charts are not identical for 2700 Series parts. Physical dimensions are identical. Note: See page 22 for plating options and part# suffix. Tested to 600 lbs. Skybolt® stainless CLoc® testing exceeds NASM5591 standards for tensile/shear and endurance.

# CLoc® SK2800 Flush Head Series

## 3 - Piece Series (Stud/Retainer - Locking Receptacle)

- TSO-C148 Approved. Designed to Exceed NASM5591 Table II Performance
- Tensile/Shear Loads of 200 LBS Working - 300 Lbs Plus Ultimate



SK28S3  
ZG28S3



SK2800



SK28T3  
ZG28T3

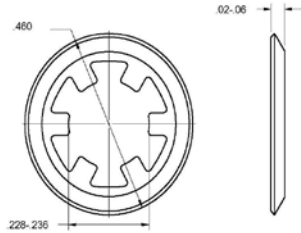
Note: 2800 Series Studs will not fit SK212-10 Series Receptacles. Use SK212-12 or SK213 Series Receptacle

Flush Head 2800 Series Studs				Total Stud Length (L)		SK212 Series Fixed Depth Receptacle Combined Panels				SK213-1* and -2 Series Adjustable Depth Combined Panels			
Stainless Standard Slot	Stainless Phillips	Skytanium® Phillips (2)	Skytanium® #15 Torx (3)	Dec	mm	Decimal		Millimeter		Decimal		Millimeter	
						Min	Max	Min	Max	Min	Max	Min	Max
SK2800-1S	SK28S3-1S	ZG28S3-1	ZG28T3-1	.610	15.494	.010	.029	0.254	0.737	.020	.270	0.508	6.858
SK2800-2S	SK28S3-2S	ZG28S3-2	ZG28T3-2	.640	16.256	.030	.059	0.762	1.499	.020	.300	0.508	7.620
SK2800-3S	SK28S3-3S	ZG28S3-3	ZG28T3-3	.670	17.018	.060	.089	1.524	2.261	.050	.330	1.270	8.382
SK2800-4S	SK28S3-4S	ZG28S3-4	ZG28T3-4	.700	17.780	.090	.119	2.286	3.023	.080	.360	2.032	9.144
SK2800-5S	SK28S3-5S	ZG28S3-5	ZG28T3-5	.730	18.542	.120	.149	3.048	3.785	.110	.390	2.794	9.906
SK2800-6S	SK28S3-6S	ZG28S3-6	ZG28T3-6	.760	19.304	.150	.179	3.810	4.547	.140	.420	3.556	10.668
SK2800-7S	SK28S3-7S	ZG28S3-7	ZG28T3-7	.790	20.066	.180	.209	4.572	5.309	.170	.450	4.318	11.430
SK2800-8S	SK28S3-8S	ZG28S3-8	ZG28T3-8	.820	20.828	.210	.239	5.334	6.071	.200	.480	5.080	12.192
SK2800-9S	SK28S3-9S	ZG28S3-9	ZG28T3-9	.850	21.590	.240	.269	6.096	6.833	.230	.510	5.842	12.954
SK2800-10S	SK28S3-10S	ZG28S3-10	ZG28T3-10	.880	22.352	.270	.299	6.858	7.595	.260	.540	6.604	13.716
SK2800-11S	SK28S3-11S	ZG28S3-11	ZG28T3-11	.910	23.114	.300	.329	7.620	8.357	.290	.570	7.366	14.478
SK2800-12S	SK28S3-12S	ZG28S3-12	ZG28T3-12	.940	23.876	.330	.359	8.382	9.119	.320	.600	8.128	15.240
SK2800-13S	SK28S3-13S	ZG28S3-13	ZG28T3-13	.970	24.638	.360	.389	9.144	9.881	.350	.630	8.890	16.002
SK2800-14S	SK28S3-14S	ZG28S3-14	ZG28T3-14	1.000	25.400	.390	.419	9.906	10.643	.380	.660	9.652	16.764
SK2800-15S	SK28S3-15S	ZG28S3-15	ZG28T3-15	1.030	26.162	.420	.449	10.668	11.405	.410	.690	10.414	17.526
SK2800-16S	SK28S3-16S	ZG28S3-16	ZG28T3-16	1.060	26.924	.450	.479	11.430	12.167	.440	.720	11.176	18.288

\* For SK213-1 Series Receptacles - Add .120 to min thickness (shorter barrel) Note: CLoc®-CamLoc® grip charts are not identical for 2800 Series parts. Physical dimensions are identical. Note (2) ZG28S3 use stainless stud/Skytanium® cup. (3) Skytanium® stud/cup Note: See page 22 for plating options and part# suffix

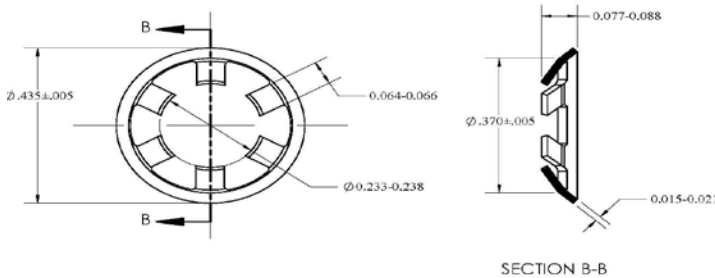
# Skybolt® CLoc® 2000 Series Retainers

## SK2600-LW (Steel) SK2600-LWS (Stainless)



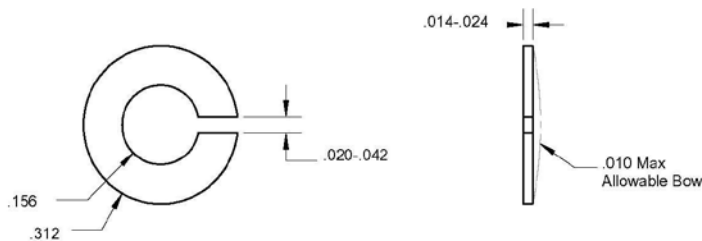
Designed as a general purpose retainer. Will not allow studs to retract when unlocked. Install with SK-T26 Tool. Check that all studs are properly fitted before installing retainer.

## SK26S5-1 (Steel) SK27S5-1S (Stainless)



Designed for SK2700 or SK2800 Flush Studs installed in a thin dimpled panel. Will not allow studs to retract when unlocked. Install with SK-T26 Tool. Check that all studs are properly fitted before installing retainer.

## SK2600-SW2 (Steel) SK2600-SW (Stainless)



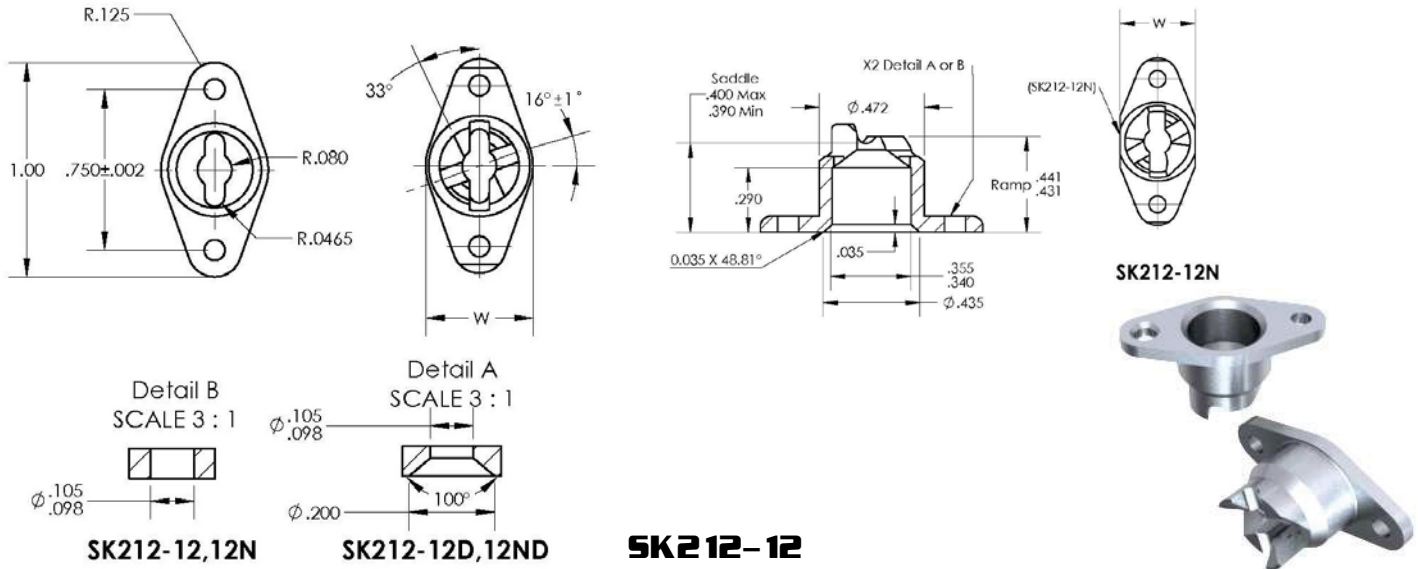
Designed for a curved panel application that requires studs to retract when unlocked. They will not function with any 2700 or 2800 Series Studs with oversized drilled holes for the cup dimple. They will only work with .257 holes (after dimpling panel) or a countersunk panel with .257 hole. With pliers, bend open at the split; twist washer around stud crosspin; bend to close.

Skybolt®	CamLoc®	Lisi	Material	Finish	Weight Lbs/100
SK2600-LW	2600-LW	1127700	Carbon Steel 1070-1095 ASTM A682/A684	Cad QQ-P-416, Type II, Class 2	0.04
SK2600-LWS	2600-LW-7	1127746	Stainless 302 ASTM-A666	Passivate AMS2700	0.04
SK27S5-1	27S5-1	1127301	Carbon Steel 1070-1095 ASTM A682/A684	Cad QQ-P-416, Type II, Class 2	0.04
SK27S5-1S	None	None	Stainless 302 ASTM-A666	Passivate AMS2700	0.04
SK2600-SW2	2600-SW2	1127723	Carbon Steel 1070-1095 ASTM A682/A684	Cad QQ-P-416, Type II, Class 2	0.03
SK2600-SW	2600-SW	1127722	Stainless 302 ASTM-A666	Passivate AMS2700	0.03

# CLoc® 2000 Series Rivet Receptacles

## 3 - Piece Series (Stud/Retainer - Locking Receptacle)

### Standard SK212 Fixed Depth Receptacles TSO-C148



Part #	Material	Type/Finish	Rivet Size	Weight		
<b>Skybolt®</b>	<b>CamLoc®</b>	<b>Lisi</b>				
SK212-12	212-12	1127701	Metal	Cast/Cad QQ-P-416	3/32	.010/4.5g
SK212-12D	212-12D	1127702	Metal	Cast/Cad QQ-P-416	3/32	.010/4.5
SK212-12N	212-12N	1127726	Metal	Cast/Cad QQ-P-416	3/32	.010/4.5
SK212-12ND	212-12ND	1127729	Metal	Cast/Cad QQ-P-416	3/32	.010/4.5
SK212-12S	212-12S	1127711	Stainless	Machined/Pass	3/32	.0105/4.8
SK212-12SD	212-12SD	1127712	Stainless	Machined/Pass	3/32	.0105/4.8
SK212-12NS			Stainless	Machined/Pass	3/32	.0105/4.8
SK212-12NSD			Stainless	Machined/Pass	3/32	.0105/4.8
SK212-12ACA			Alum380	Cast/None	3/32	.0040/1.9
SK212-12A8CA	None	1127709A	Alum380	Cast/None	1/8	.0040/1.9
SK212-12A	212-12A	1127901A	Alum6061	Machined/None	3/32	.0035/1.7
SK212-12A8			Alum6061	Machined/None	1/8	.0035/1.7
SK212-12AC			Alum6061	Anti Chafe	3/32	.0040/1.8
SK212-12AD	212-12AD	1127708	Alum6061	Machined/None	3/32	.0035/1.7
SK212-12SENC			Stain303	Encapsulated	3/32	.0105/4.8
SK21R17-1	None	1127733	Stain304	Formed	3/32	.0040/1.9
SK21R17-18			Stain304	Formed	1/8	.0040/1.9
SK21R17-2	None	1127734	Stain304	Formed/Dimpled	3/32	.0040/1.9
SK21R17-6N	26R6-6BB	1127741	Steel	Formed/Narrow	3/32	.0040/1.9

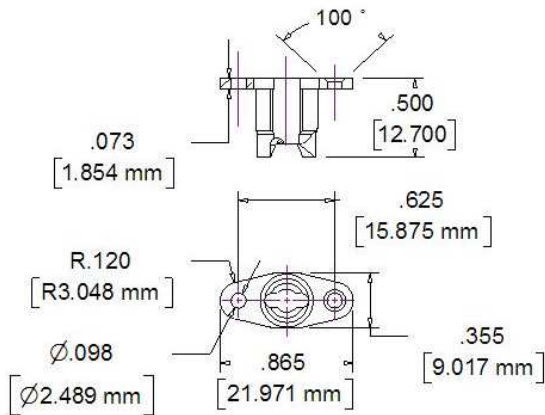
Call for other styles in stock

# CLoc® 2000 Series Rivet Receptacles

## 3 - Piece Series (Stud/Retainer - Locking Receptacle)

Standard SK212 Fixed Depth Receptacles TSO-C148

### SK212-10



Part #	Material	Type/Finish	Rivet Size	Weight
SK212-10	Steel	Machined/Zinc	3/32	.0100/4.5g
SK212-10A	Alum6061	Machined/None	3/32	.0030/1.4
SK212-10AB	Alum6061	Machined/Anod	3/32	.0030/1.4
SK212-10S	Stain303	Machined/None	3/32	.0100/4.5

Require 2500 series studs

### MIL-A-8625 Anodizing

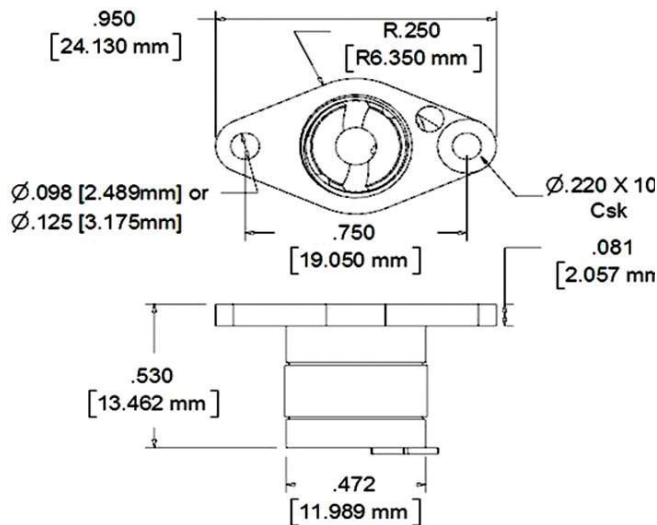
Standard Anodizing MIL-A-8625, Type II, Class 1		
Finish	Add Part #Suffix	Example
Clear	A	ZG2500-4A Standard anodizing - Clear
Standard Anodizing MIL-A-8625, Type II, Class 2		
Finish	Add Part #Suffix	Example
Black	A1BLK	ZG2500-4A1BLK Standard anodizing - Black
Red	A1RED	ZG2500-4A1RED Standard anodizing - Red
Hard Anodizing MIL-8625, Type III, Class 1		
Finish	Add Part #Suffix	Example
Clear	B	ZG2500-4B Hard anodizing - Clear
Hard Anodizing MIL-8625, Type III, Class 2		
Finish	Add Part #Suffix	Example
Black	B1BLK	ZG2500-4B1BLK Hard anodizing - Black
Red	B1RED	ZG2500-4B1RED Hard anodizing - Red

# CLoc® 2000 Series Rivet Receptacles

3 - Piece Series (Stud/Retainer - Locking Receptacle)

Standard SK213 Adjustable Receptacles TSO-C148

## SK213 Adjustable Receptacles



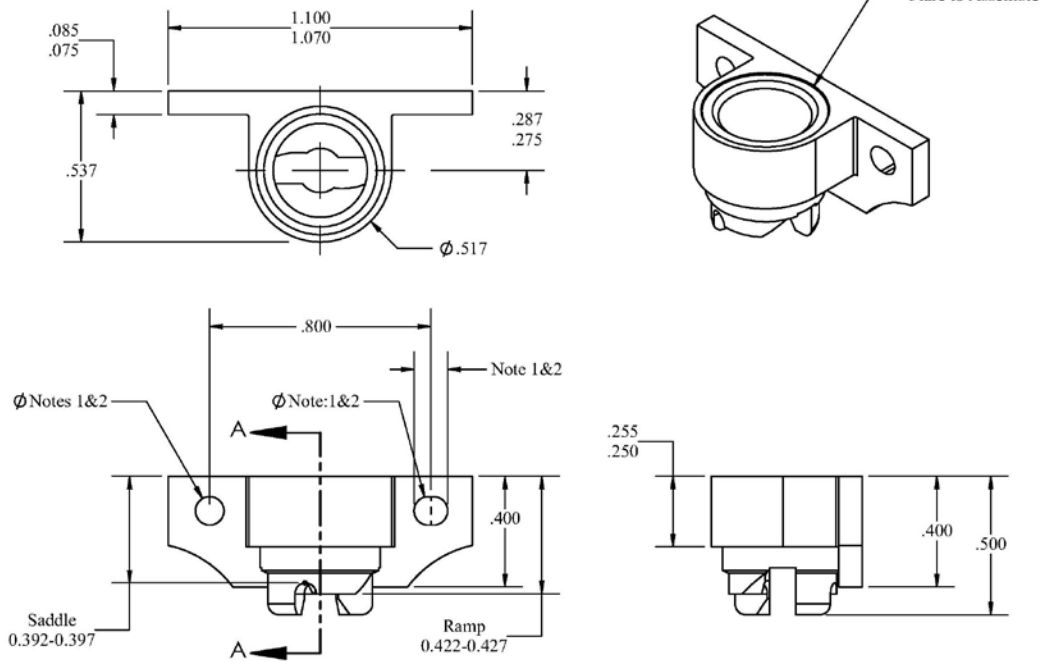
Part #	Material	Type/Finish	Rivet Size	Weight	Length 'L'
SK213-1	Skytanium®	Machined/None	3/32	.0070/3.2	.410
SK213-1D	Skytanium®	Machined/None	3/32	.0070/3.2	.410
SK213-1S	Stain303	Machined/None	3/32	.0155/7.1	.410
SK213-1SD	Stain303	Machined/None	3/32	.0155/7.1	.410
SK213-2	Skytanium®	Machined/None	3/32	.0070/3.2	.530
SK213-2D	Skytanium®	Machined/None	3/32csk	.0070/3.2	.530
SK213-26D	Skytanium®	Machined/None	3/32csk	.0070/3.2	.530
SK213-28	Skytanium®	Machined/None	1/8	.0070/3.2	.530
SK213-28D	Skytanium®	Machined/None	1/8csk	.0070/3.2	.530

Note: SK213-26 has 11/16 Rivet Spacing

# CLoc® 26R Series Side Mount Receptacles

Use with any 2000 Series Studs  
6061 Aluminum - Machined - Anodized Black  
4-Hole and 2-Hole - 3/32 Rivet Holes

SK26R3-1 Shown (Before Hard Anodizing)



Part #			Material	Rivet
Skybolt®	Cam-Loc®	Lisi		
SK26R1-1	26R1-1	1127727	6061 Aluminum - Anodized	3/32 - 4 Hole
SK26R1-5	26R1-5		6061 Aluminum - Anodized	3/32 - 4 Hole

Note: To calculate grip range for a given stud, use standard grip charts but there is no support panel to calculate. The Grip is the thickness of the outer panel plus any gasket material used.

# CLoc® 2000 Series Floating Receptacles

## SK201 and SK203 Floating Receptacles

- Rivet - 3/32 and Bonded Versions
- Fixed Depth and Adjustable Versions
- Float +/- .050 (x and y)
- Removable - Receptacle Insert
- Cage Dimensions - 1.020 x .630
- Panel Overlap - Max Float - Desired .650
- Easy install Insert Locking Clip - Easy to remove; easy to install/replace

### SK201 Floating Receptacle - Fixed

Fixed Depth Insert	Cage	Insert	Rivet/ Spacing	Height	Lbs	Grams	Grip(1) SK28S3-2	Grip(1) SK26S51-2
SK201C01	Stainless	Stainless	Bonded	.490	.0180	8.2	.030-.059	.060-.089
SK201C21	Stainless	Stainless	3/32x.75	.490	.0180	8.2	.030-.059	.060-.089
SK201C01A	Stainless	Aluminum	Bonded	.490	.0110	5.9	.030-.059	.060-.089
SK201C21A	Stainless	Aluminum	3/32x.75	.490	.0110	5.9	.030-.059	.060-.089
SK201A01A	Aluminum	Aluminum	Bonded	.490	.0095	4.3	.030-.059	.060-.089
SK201A21A	Aluminum	Aluminum	3/32x.75	.490	.0095	4.3	.030-.059	.060-.089

Note 1: Add or subtract .030 to grip values per dash number increase or decrease



### SK203 Floating Receptacle - Adjustable

Adjustable Depth Insert	Cage	Insert	Rivet/ Spacing	Height	Lbs	Grams	Grip(1) SK28S3-2	Grip(1) SK26S51-2
SK203C01	Stainless	Stainless	Bonded	.540	.0260	11.7	.020-.320	.020-.350
SK203C21	Stainless	Stainless	3/32x.75	.540	.0260	11.7	.020-.320	.020-.350
SK203C01A	Stainless	Aluminum	Bonded	.540	.0200	9.1	.020-.320	.020-.350
SK203C21A	Stainless	Aluminum	3/32x.75	.540	.0200	9.1	.020-.320	.020-.350
SK203A01A	Aluminum	Aluminum	Bonded	.540	.0110	8.16	.020-.320	.020-.350
SK203A21A	Aluminum	Aluminum	3/32x.75	.540	.0110	8.16	.020-.320	.020-.350

Note 1: Add or subtract .030 to grip values per dash number increase or decrease



### SK201T2 and SK203T2 Bond - Gummy Worm

Secures and seals insert for bond setup and cure using traditional Gummy Worm - Reusable.

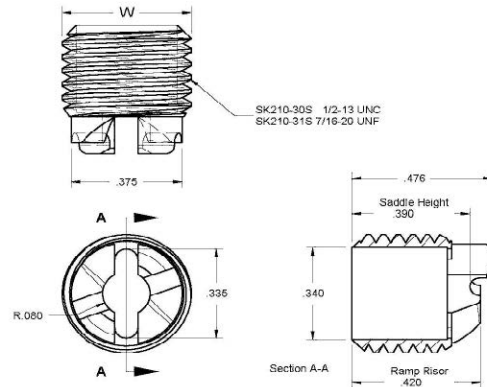
See Bonding Pages 2-4



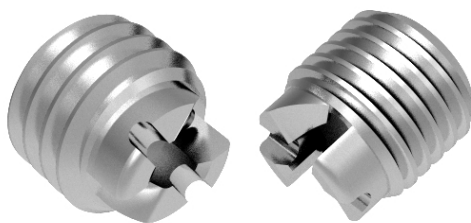
# CLoc® 2000 Series Threaded Receptacles

## SK210/230 Series Rivetless Receptacles - Adjustable Depth

- Excellent for any Non-Blind Mounting Application
- Ideal for Marine and Industrial Applications
- Adjustable Depth
- Use thread locking compound to secure insert



Part #	Stud Series	Material	Thread-Type	'W'	Alum,Brass,Plastic Drill Hole To(2)	Steel,SS,Iron Drill Hole To	Tap	Minimum (1) Inner Panel
SK209-31S	2500	303 Stainless	3/8-24	.375	21/64	Q	3/8-24	.250 Min
SK210-30A	2500	6061 Aluminum	3/8-16	.375	9/32	5/16	Use with SK2000-150 or -312 Nutsert	
SK210-30S	2500	303 Stainless	3/8-16	.375	9/32	5/16	Use with SK2000-150 or -312 Nutsert	
SK210-31A	2600/2700	6061 Aluminum	7/16-20	.438	11/32	25/64	7/16-20	.250 Min
SK210-31S	2600/2700	303 Stainless	7/16-20	.438	11/32	25/64	7/16-20	.250 Min
SK230-16A*	2600/2700	6061 Aluminum	3/8-16 Ext Nose	.375	9/32	5/16	Use with SK2000-150 or -312 Nutsert	
SK230-16S*	2600/2700	303 Stainless	3/8-16 Ext Nose	.375	9/32	5/16	Use with SK2000-150 or -312 Nutsert	



All series - In addition to the charted value of .476, allow up to .580 clearance to accommodate the stud nose through its full locking action

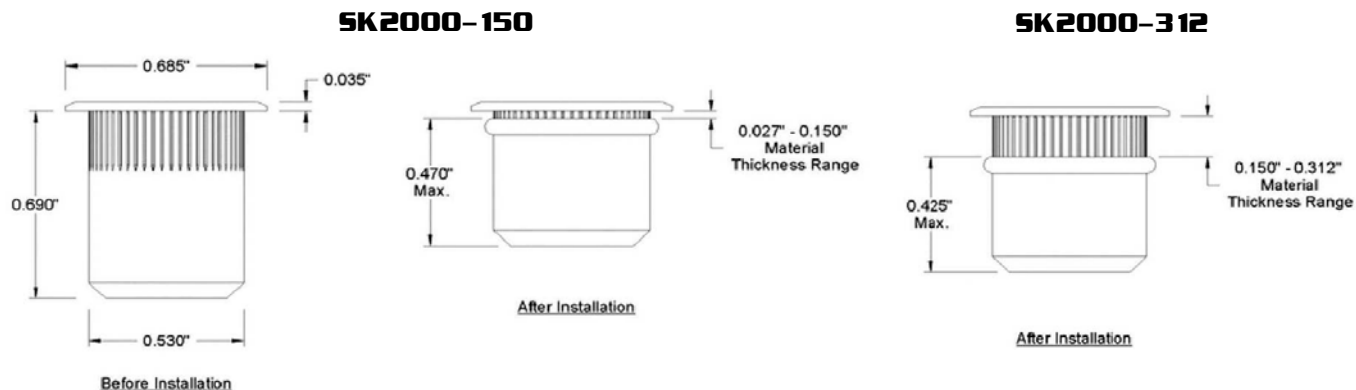
Stud Grip Chart (Grip range increased based on insert setting)			
Protruding Stud (3)	Outer Panel Thickness	Flush Stud (3)	Outer Panel Thickness
SK26S51-1	.075-.105	SK27S3-1S	.010-.019
SK26S51-2	.105-.135	SK27S3-2S	.020-.049
SK26S51-3	.135-.165	SK27S3-3S	.050-.079
SK26S51-4	.165-.195	SK27S3-4S	.080-.109
SK26S51-5	.195-.225	SK27S3-5S	.110-.139
SK26S51-6	.225-.255	SK27S3-6S	.140-.169
SK26S51-7	.255-.285	SK27S3-7S	.170-.199
SK26S51-8	.285-.315	SK27S3-8S	.200-.229
SK26S51-9	.315-.345	SK27S3-9S	.230-.259
SK26S51-10	.345-.375	SK27S3-10S	.260-.289
SK26S51-11	.375-.405	SK27S3-11S	.290-.319

(3) Charts also apply to all SK2600 Series and SK2700/2800 Series Studs.

# CLoc® 2000 Series Nutserts

## SK2000-150 and SK2000-312 Nutserts

- Excellent for any Blind or Non-Blind Mounting Application
- Ideal Industrial Applications
- Use thread locking compound to secure insert
- Use SK210-30S or SK230-16S Inserts - U.S. Patent 10,087,964



Part #	Material	Hole Size	Grip	Body Dia	Length	Flange Dia	Thickness	L (Protrusion) Installed (max)
SK2000-150	Steel-Yellow Zinc	17/32-9/16	.027-.150	.530	.690	.685	.035	.470
SK2000-150A	Aluminum	17/32-9/16	.027-.150	.530	.690	.685	.035	.470
SK2000-312	Steel-Yellow Zinc	17/32-9/16	.150-.312	.530	.805	.685	.035	.425

### SK2000-NST Nutsert Installation Tool

Use 271 Red Locktite® to lock threads when properly adjusted. Warning: Thread lockers set up in approximately 5 minutes. 2600 Series: Adjust insert so that the face of the cup is flush with the bottom of the stud head. 2700/2800 Series: Set insert so that the stud head is no deeper than flush with the face of the cup. If insert is set too deep with the stud locked, you will not be able to unlock the stud after 5 minutes.

Protruding Stud (4)	Outer Panel Thickness	Flush Stud (4)	Outer Panel Thickness
SK26S51-1	.020-.300	SK27S3-1S	.020-.170
SK26S51-2	.020-.330	SK27S3-2S	.020-.200
SK26S51-3	.130-.360	SK27S3-3S	.020-.230
SK26S51-4	.160-.360	SK27S3-4S	.100-.260
SK26S51-5	.190-.420	SK27S3-5S	.130-.290
SK26S51-6	.220-.450	SK27S3-6S	.160-.320
SK26S51-7	.250-.480	SK27S3-7S	.190-.350
SK26S51-8	.280-.510	SK27S3-8S	.220-.380
SK26S51-9	.310-.540	SK27S3-9S	.250-.410
SK26S51-10	.340-.570	SK27S3-10S	.280-.440
SK26S51-11	.370-.600	SK27S3-11S	.310-.470

Protruding Stud (4)	Outer Panel Thickness	Flush Stud (4)	Outer Panel Thickness
SK26S51-1	.390-.600	SK27S3-1S	.310-.470
SK26S51-2	.390-.630	SK27S3-2S	.340-.500
SK26S51-3	.430-.660	SK27S3-3S	.370-.530
SK26S51-4	.460-.690	SK27S3-4S	.400-.560
SK26S51-5	.490-.720	SK27S3-5S	.430-.590
SK26S51-6	.520-.750	SK27S3-6S	.460-.620
SK26S51-7	.550-.780	SK27S3-7S	.490-.650
SK26S51-8	.580-.810	SK27S3-8S	.520-.680
SK26S51-9	.610-.840	SK27S3-9S	.550-.710
SK26S51-10	.640-.870	SK27S3-10S	.580-.740
SK26S51-11	.670-.900	SK27S3-11S	.610-.770

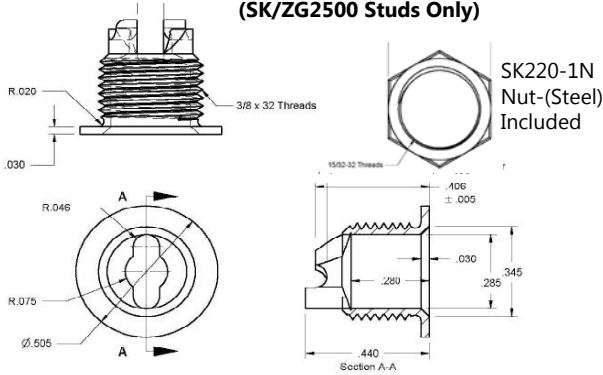
(4) Charts also apply to all SK2600 Series and SK2700/2800 Series Studs.

# CLoc® 2000 Series Threaded Receptacles

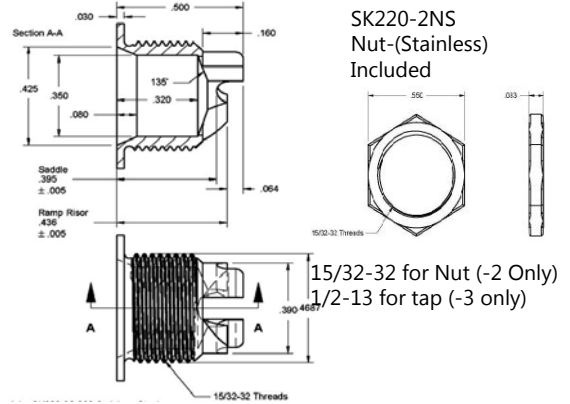
## SK220 Series Rivetless Receptacles - Straight Flange

- Excellent for any Non-Blind Mounting Application
- Non-Adjustable Depth
- Use thread locking compound to secure nut

### SK220-1 Series (SK/ZG2500 Studs Only)



### SK220-2 and SK220-3 Series



Part #	Replaces	Material	Thread-Type	'W'	Drill Hole To	Tap	Min-Max Inner Panel
<b>SK220-1A (1)</b>		6061 Aluminum	3/8-32 with Backing Nut	.370	3/8	NA	.010-.250
<b>SK220-1S (1)</b>		303 Stainless	3/8-32 with Backing Nut	.370	3/8	NA	.010-.250
<b>SK220-2A</b>		6061 Aluminum	15/32-32 with Backing Nut	.472	15/32	NA	.010-.250
<b>SK220-2S</b>	SK211-2S	303 Stainless	Does not include Backing Nut	.472	15/32	NA	.010-.250
<b>SK220-3S (2)</b>		303 Stainless	1/2-13 Tapped (No Backing Nut)	.500	13/32 (3)	1/2-13	.500 Min
<b>SK220-1N</b>		Steel	3/8-32 with Steel Backing Nut	.500	3/8	NA	NA
<b>SK220-1NS</b>		303 Stainless	15/32-32 SS Backing Nut	.500	13/32	NA	NA

(1) Min Total Thickness .045. (2) Coarse thread for tapped holes in wood/plastic/composite structures. (3) Drill Undersize.

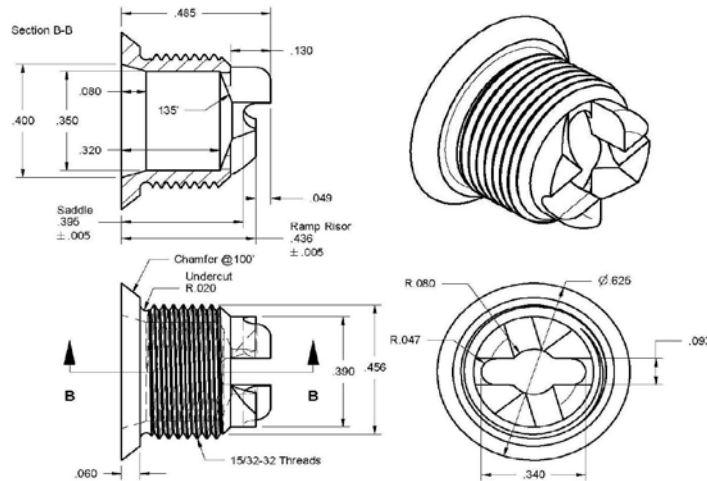
Protruding Stud (4)	Outer Panel Thickness	Flush Stud (4)	Outer Panel Thickness
SK25S51-1	.075-.104	SK25S3-1S	.045-.074
SK25S51-2	.105-.134	SK25S3-2S	.075-.104
SK25S51-3	.135-.164	SK25S3-3S	.105-.134
SK25S51-4	.165-.194	SK25S3-4S	.135-.164
SK25S51-5	.195-.224	SK25S3-5S	.165-.194
SK25S51-6	.225-.254	SK25S3-6S	.195-.224
SK25S51-7	.255-.284	SK25S3-7S	.225-.254
SK25S51-8	.285-.314	SK25S3-8S	.255-.284
SK25S51-9	.315-.344	SK25S3-9S	.285-.314
SK25S51-10	.345-.374	SK25S3-10S	.315-.344
SK25S51-11	.375-.404	SK25S3-11S	.345-.374

Protruding Stud (4)	Outer Panel Thickness	Flush Stud (4)	Outer Panel Thickness
SK26S51-1	.030-.059	SK28S3-1S	.010-.019
SK26S51-2	.060-.089	SK28S3-2S	.020-.049
SK26S51-3	.090-.119	SK28S3-3S	.050-.079
SK26S51-4	.120-.149	SK28S3-4S	.080-.109
SK26S51-5	.150-.179	SK28S3-5S	.110-.139
SK26S51-6	.180-.209	SK28S3-6S	.140-.169
SK26S51-7	.210-.239	SK28S3-7S	.170-.199
SK26S51-8	.240-.269	SK28S3-8S	.200-.229
SK26S51-9	.270-.299	SK28S3-9S	.230-.259
SK26S51-10	.300-.329	SK28S3-10S	.260-.289
SK26S51-11	.330-.359	SK28S3-11S	.290-.319

# CLoc® 2000 Series Threaded Receptacles

## SK221 Series Rivetless Receptacles - Countersunk Flange

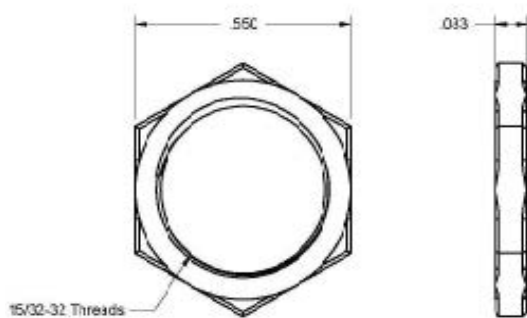
- Excellent for any Non-Blind Mounting Application
- Non-Adjustable Depth
- Use thread locking compound to secure nut



Notes: (1) Drill slightly undersized for "tight" thread tap.

Part #	Replaces	Material	Thread-Type	'W'	Drill Hole To	Tap	Min-Max Inner Panel
<b>SK221-2AN</b>	SK211-32A	6061 Aluminum	15/32-32 with Backing Nut	.472	15/32	NA	.090-.250
<b>SK221-2SN</b>		303 Stainless	15/32-32 with Backing Nut	.472	15/32	NA	.090-.250
<b>SK221-3S*</b>	SK210-2S	303 Stainless	1/2-13 Tapped (No Backing Nut)	.500	13/32 (1)	1/2-13	.500 Min

\* Coarse thread for tapped holes in wood/plastic/composite structures



SK220-2NS Nut- Stainless  
(Included with SK221-2 Series Receptacles)

Stud Grip Chart			
Protruding Stud (4)	Outer Panel Thickness	Flush Stud (4)	Outer Panel Thickness
SK26S51-1	.030-.059	SK28S3-1S	.010-.019
SK26S51-2	.060-.089	SK28S3-2S	.020-.049
SK26S51-3	.090-.119	SK28S3-3S	.050-.079
SK26S51-4	.120-.149	SK28S3-4S	.080-.109
SK26S51-5	.150-.179	SK28S3-5S	.110-.139
SK26S51-6	.180-.209	SK28S3-6S	.140-.169
SK26S51-7	.210-.239	SK28S3-7S	.170-.199
SK26S51-8	.240-.269	SK28S3-8S	.200-.229
SK26S51-9	.270-.299	SK28S3-9S	.230-.259
SK26S51-10	.300-.329	SK28S3-10S	.260-.289
SK26S51-11	.330-.359	SK28S3-11S	.290-.319